

 Digital Signage

## melford ADVERTISING DISPLAY

22" Android advertising display – high-definition, tablet-like display with an aluminium surround and tempered glass

High-definition 1080p IPS panel with a wide viewing angle

Designed for 24/7 commercial use

High image quality and colour accuracy

Integrated Android media player

Integrated speakers

Multiple connection inputs

### ADDITIONAL FEATURES



Flush-fit wall mount included



Lightweight design



Optional network upgrade



450 cd/m<sup>2</sup> IPS panel



Slender frame



LED backlight



Landscape or portrait orientation



Scheduling software included

[melfordtechnologies.com](http://melfordtechnologies.com)



# Presenting the Melford Advertising Display range

# melford



GIANT TABLET STYLING



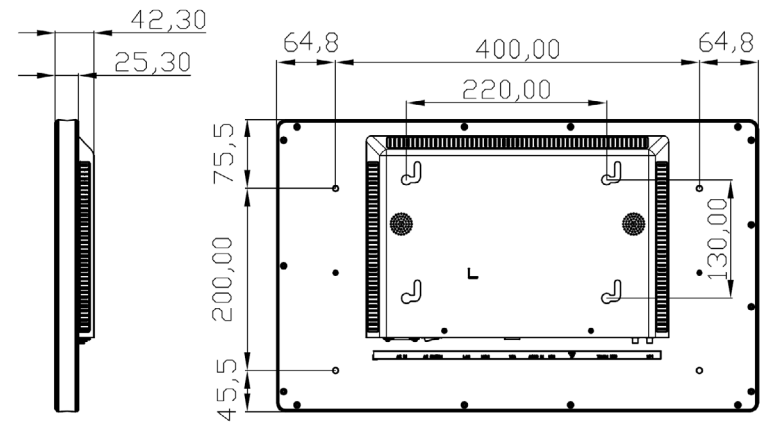
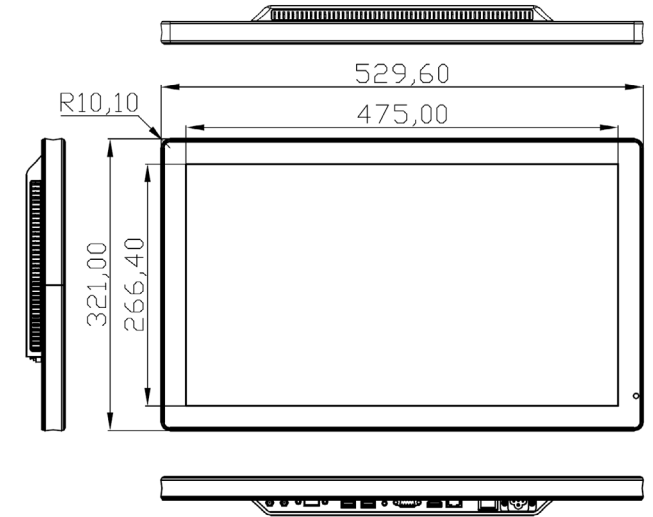
24/7 COMMERCIAL USE



INTEGRATED SPEAKERS



450CD/M² IPS PANEL



LANDSCAPE OR PORTRAIT ORIENTATION



TOUGHENED SAFETY GLASS



SLENDER FRAME



LIGHTWEIGHT DESIGN



melford

## 22 Inch

Panel	Resolution	1920 x 1080
	Display Area (mm)	475 x 266.4
	Aspect Ratio	16:9
	Brightness (cd/m <sup>2</sup> )	450
	Colour	16.7M
	Viewing Angle	178°
	Contrast Ratio	5000:1
Audio	Speaker Type	2 x 2W 4Ω
AV Inputs	Video	HDMI, VGA
	Audio	Audio Socket (3.5mm)
Power	Power Consumption (W)	20
	Input Voltage	AC110~240V (50Hz~60Hz)
Mechanical	Unit Size (WxHxD mm)	529.6 x 321 x 42.3
	Package Size (WxHxD mm)	675 x 424.5 x 118.5
	VESA Holes (mm)	400 x 200
	Net Weight (kg)	6.1
	Gross Weight (kg)	8.1
Environmental	Operating Temperature	0°C to 50°C
	Storage Temperature	-30°C to 60°C
	Operating Humidity	10% to 80%
	Storage Humidity	5% to 95%
Computer	Media Formats	Video (MPG, AVI, MP4, RM, RMVB, TS), Audio (MP3, WMA), Image (JPG, GIF, BMP, PNG)
	Media Resolution	1920 x 1080 / 1080 x 1920
	CPU	Quad-Core ARM Cortex A17, 1.6GHz
	GPU	Quad-Core ARM Mali-T764
	RAM	DDR3 2GB
	ROM	8GB eMMC
	USB	1 x USB (OTG/HOST), 1 x USB (HOST)
	LAN	100M/1000M Ethernet (Network Version Only)
	Wi-Fi	802.11b/g/n/ac (Network Version Only)
	Bluetooth	Bluetooth 4.0
	OS	Android 7.1
	Graphic Engine	OpenGL ES 1.1/2.0/3.0/3.1, OpenCL 1.1, Renderscript, Direct3D 11.1
Accessories	Included	Special Wall Mount, Scheduling Software, Remote Control, Key, User Manual
	Optional	Network Upgrade, Touch Screen Version, Wall Mount, Floor Stand/Trolley, Ceiling Mount, Table Stand
Warranty	Warranty Period	3 Year Warranty
	Technical Support	Lifetime

### Why Melford?

Melford Technologies have been offering innovative technology solutions for over 50 years.

We provide experienced professional design, project planning, configuration, deployment, and maintenance services for a full one stop shop.

We can assist with the design and manufacture of your digital signage solution from the blank piece of paper at the initial meeting through to installation and post-sales support.

### Contact Us

+44 (0)1494 638 069

info@melfordtechnologies.com

melfordtechnologies.com

